

HB

油壓增壓器

HB HYDRAULIC BOOSTER



產品特性

本產品機構內附油壓順序閥，預壓式特性操作時可將作動缸充滿油，達到預先設定之壓力，順序閥動作，即可獲得倍數增壓。適用於油壓專用機，MC治具低壓迴路中，部份油壓缸需高壓操作之場合，僅需一隻電磁閥或安裝於管路中，即可操作HB增壓器，可將低油壓自動轉換成高油壓，獲得高壓夾持。

最大操作壓力：50 kgf/cm²

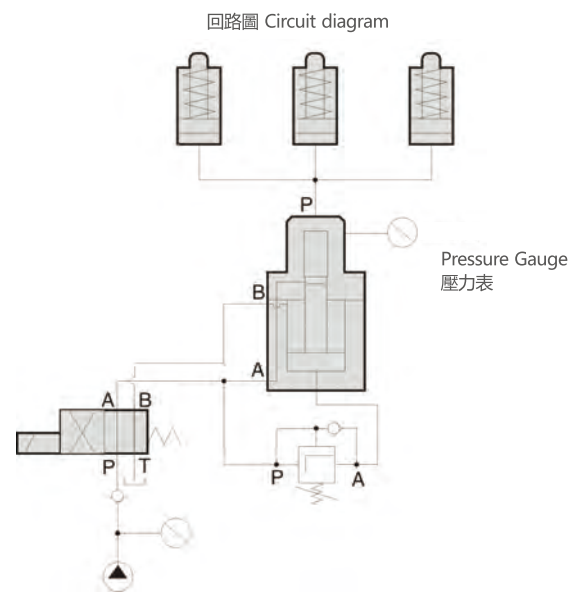
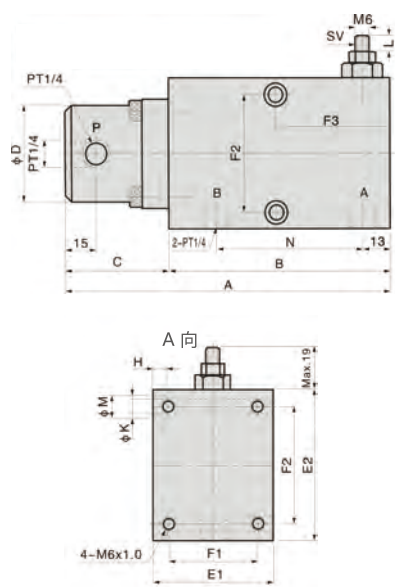
最小操作壓力：20 kgf/cm²

FEATURES

A hydraulic sequential valve is attached to this booster. When operating, it oils cylinder and makes it be at the dual pressure and let the sequential valve act, and then it will have multiple boosting pressure. It's fit for hydraulic special purpose machine and MC clamp in low pressure circuit. It needs a solenoid valve installed in the circuit, and then it will be able to operate HB super-charger. The super-charger may be converted automatically low oil-pressure into high oil-pressure and obtain a high pressure clamping.

Max. operating pressure: 50 kgf/cm²

Min. operating pressure: 20 kgf/cm²



Unit:mm

型號 Model	增壓倍數 Multiple boost	高壓吐油量 High pressure output	A	B	C	ΦD	E1	E2	F1	F2	F3	H	ΦK	ΦM	N
HB-9×6	9	6CC	157	107	50	Φ46	58	72	43	56	55	7	Φ7	Φ11	71
HB-8×22	8	22CC	210	139	71	Φ58	82	95	62	80	70	9	Φ9	Φ14	96
HB-5×35	5	35CC	210	139	71	Φ58	82	95	62	80	70	9	Φ9	Φ14	96
HB-3.8×45	3.8	45CC	210	139	71	Φ58	82	95	62	80	70	9	Φ9	Φ14	96

使用流體：相當於ISO黏度等級的ISO-VG-32一般液壓油 Usable fluid: General Hydraulic Oil Equivalent to ISO-VG-32

