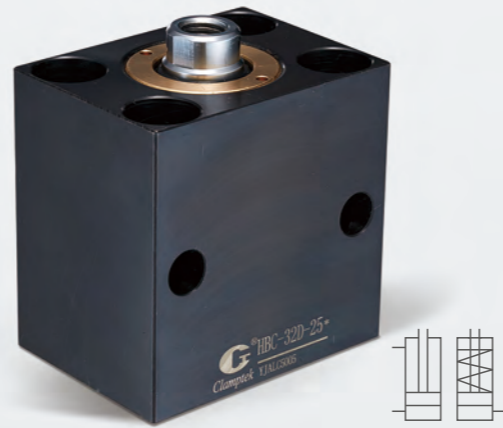


HBC

塊型油壓缸

HBC HYDRAULIC BLOCK CYLINDER



產品特性

本系列油壓缸為德規尺寸,採用進口油封保證耐壓,標準化規格,具互換性。安裝型式為軸向,側向兩用型,作動方式分為單動常入型與複動式。

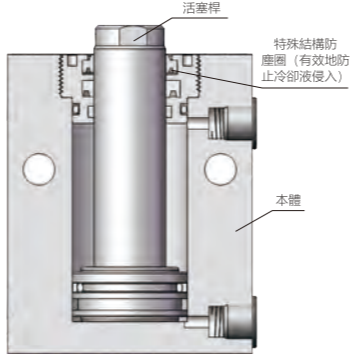
最大操作壓力: 300 kgf/cm²
 最小操作壓力: 100 kgf/cm²
 作動方式: 單動式和複動式

FEATURES

This series of hydraulic cylinder complies with Germany specifications. Employ imported oil seal for outstanding pressure resistance. Standardized specification and full interchangeability axial and side mounting type available. Single and double acting available. e, made the cylinder appearance look better.

Max. operating pressure: 300 kgf/cm²
 Min. operating pressure: 100 kgf/cm²
 Single acting and Double acting

剖面圖 Sectional view (複動型)



注意事項

可接受訂製 (300 < P < 500), 歡迎與本公司洽詢

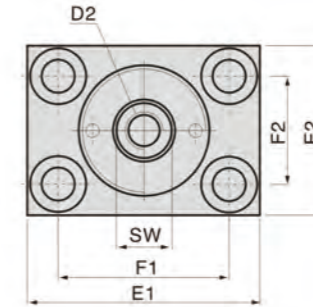
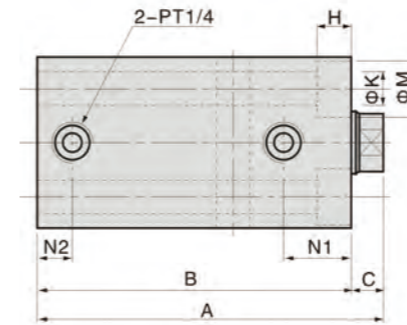
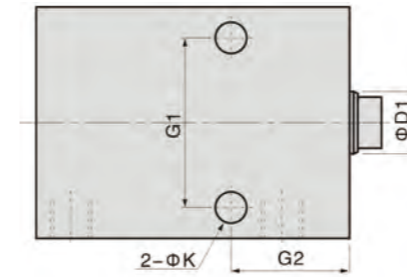
NOTE

Orders with customized request(300 < P < 500) are available, welcome to contact us.

訂購標示法 ORDERING INDICATION

示例: HBC-32S-20

HBC	系列 Series	HBC
32	油缸內徑 Hydraulic cylinder inside diameter	Φ16, Φ25, Φ32, Φ40
S	作動方式 Acting type	S單動Single-acting D雙動Double-acting
20	標準行程 Standard stroke	請參考尺寸表 Refer to the dimension table



Dimension table Unit:mm

	Bore	Φ16				Φ25				Φ32				Φ40			
		8		20		8		20		10		20		10		20	
Single acting	Stroke	8		20		8		20		10		20		10		20	
	A	62		97		71		101		85		110		89		114	
	B	56		91		64		94		75		100		79		104	
Double acting	Stroke	16		50		20		50		25		50		25		50	
	A	62		97		71		101		85		110		89		114	
	B	56		91		64		94		75		100		79		104	
C		6		7		10		10									
D1		10		16		20		25									
D2		M6×1.0 12Deep		M10×1.5 15Deep		M12×1.75 15Deep		M16×2.0 25Deep									
SW		8		13		17		22									
E1		60		65		75		85									
E2		35		45		55		63									
F1		40		50		55		63									
F2		22		30		35		40									
G1		30		50		55		63									
G2		30		33		38		40									
H		6.5		9		11		11									
K		6.8		9		11		11									
M		11		14		18		18									
N1		16.5		18		22		24									
N2		11		11		11		11									

規格參數表 SPECIFICATION

F1: 推出Push out F2: 拉入Pull in

油缸內徑 HYDRAULIC CYLINDER INSIDE DIAMETER(mm)	活塞桿徑 PISTON DIAMETER(mm)	受壓面積 PRESSURE AREA(Cm ²)		操作壓力 OPERATION PRESSURE(kgf/cm ²)				使用流體 USABLE FLUID
		F1	F2	100		300		
Φ16	Φ10	2.01	1.22	201	122	603	366	相當於ISO黏度等級的ISO-VG-32一般液壓油General Hydraulic Oil Equivalent to ISO-VG-32
Φ25	Φ16	4.91	2.9	491	290	1473	870	
Φ32	Φ20	8.04	4.9	804	490	2412	1470	
Φ40	Φ25	12.57	7.66	1257	766	3771	2298	