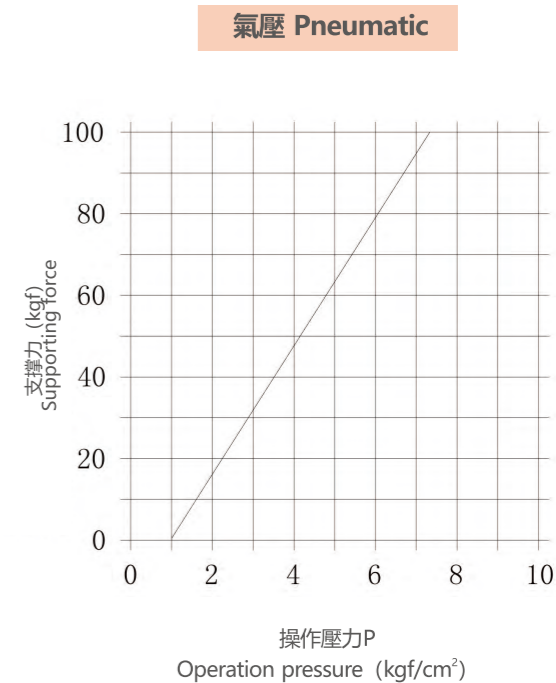
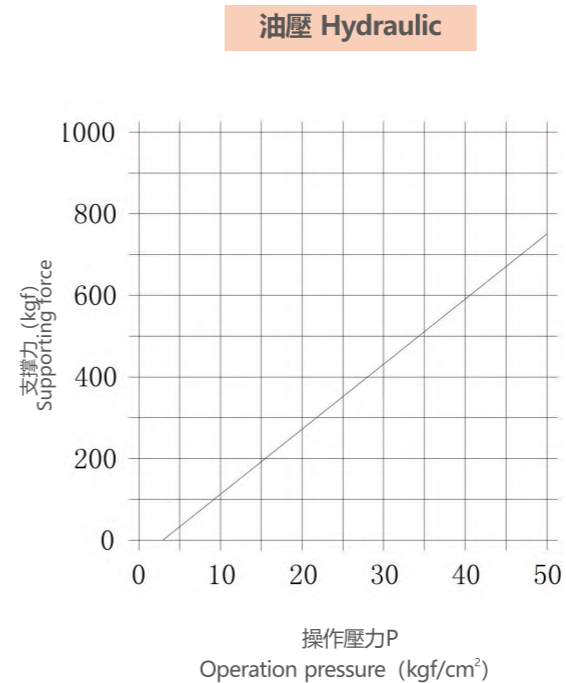


SP-AH

氣油壓兩用型支撐缸

SP-AH PNEUMATIC
/HYDRAULIC
SUPPORT CLAMP



訂購標示法 ORDERING INDICATION

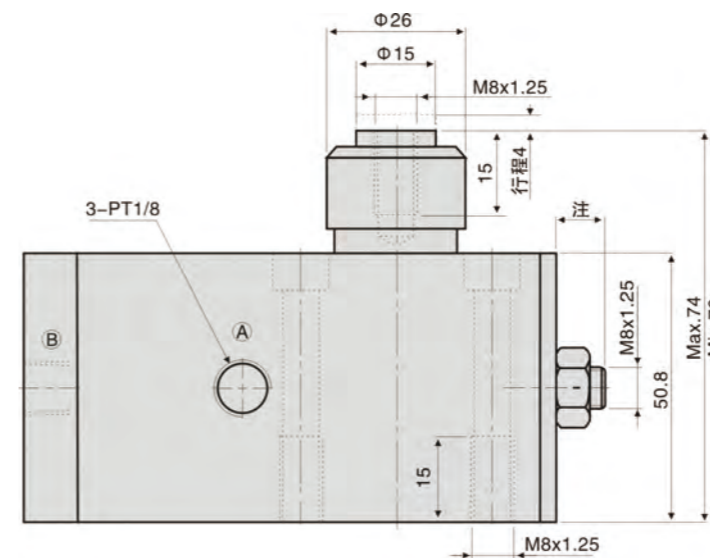
示例: SP-AH18RA

SP	系列 Series	SP
AH	氣油壓兩用型	Pneumatic/hydraulic type
18	頂桿軸徑	Diameter of the extended piston rod
R	R右向 L左向	Turn right R Turn left L
A	A彈簧頂出型 B油壓頂出型	A: Spring extended piston B: Hydraulic extended piston

A: 彈簧頂出型, 往內調整。
B: 油壓頂出型, 往外調整。
附A,B型式調整螺絲

A: Spring extended piston rod-adjust inward.
B: Hydraulic extended piston rod-adjust outward.
With A and B type adjusting screw.

使用流體: 相當於ISO黏度等級的ISO-VG-32一般液壓油或過濾之乾燥壓縮空氣
Usable fluid: General Hydraulic Oil Equivalent to ISO-VG-32 or Oiled Dry Clean Compressed Air



Ⓐ 頂出油孔 Extending port
Ⓑ 退回油孔 Retracting port

