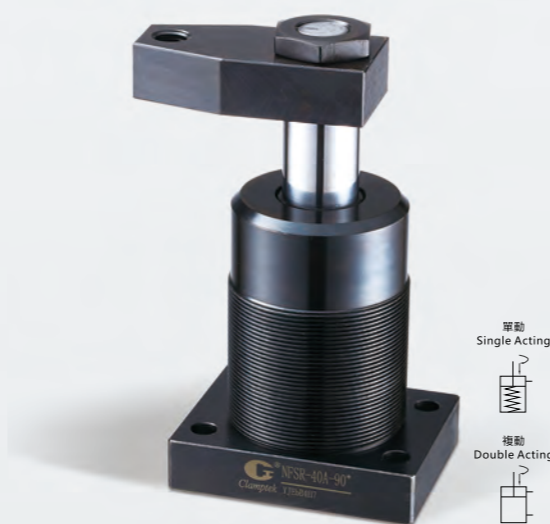


# NFS

## 高壓轉角缸

### NFS HIGH PRESSURE HYDRAULIC SWING CLAMP



#### 產品特性

向左或向右旋轉後垂直下壓達到夾持目的。標準角度90度,可訂做角度30度、45度、60度。缸體為高級碳鋼材質,表面硬化處理。入油口請加裝流量控制閥,控制轉角速度,避免慣性撞擊。

下壓夾持時,應於垂直行程內夾緊工件。每次上下工作時,務必以氣槍清潔活塞桿處油封上的鐵屑異物,避免下次使用異物嵌入工件。

最大操作壓力: 210 kgf/cm<sup>2</sup>

最小操作壓力: 70 kgf/cm<sup>2</sup>

作動方式: 單動和複動式

#### FEATURES

Clamping arm swing right or left, then clamping on straight line to hold the workpiece. Standard angle 90 degrees, available angle 30, 45, 60 degrees. The cylinder body material is carbon steel, the surface is hard mebrane treated. Suggested to add a flow control valve to the hydraulic inlet to control the motion of the swing angle in order to prevent the inertial impaction.

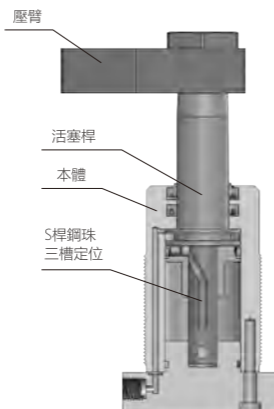
A workpiece should be clamped within up-down clamping stroke, not swing stroke. When load and unload the workpiece, it is necessary to use an air gun to clean the piston and the seal for removing iron slag or other junk. In order to prevent the junk enter into the seal to cause oil leakage.

Max. operating pressure: 210 kgf/cm<sup>2</sup>

Min. operating pressure: 70 kgf/cm<sup>2</sup>

Single acting and double acting

#### 剖面圖 Sectional view(複動式)



#### 注意事項

夾緊及放鬆作動速度需適當放緩。特殊壓臂其長度和重量不得超過標準壓臂的1.5倍。壓臂旋轉示意圖及安裝拆卸方式,請參見第4頁。可接受訂製,歡迎與本公司洽詢。

#### NOTE

The acting speed of clamping-unclamping should be slowed down. For customized clamp arm, please don't exceed 1.5 times of the original length and weight. The methods to mount & remove and the rotation diagram of the clamp arm, please refer to page 4. Orders with customized request are available, welcome to reach us.

#### 訂購標示法 ORDERING INDICATION

##### 示例: NFSL-25A-90F

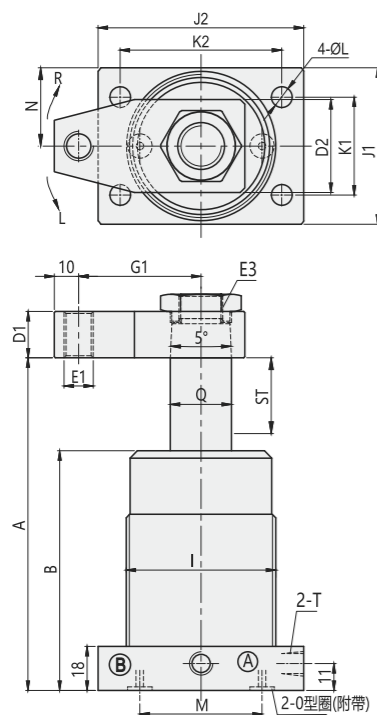
<b>NFS</b>	系列 Series	NFS/NDS/NFT/NDT
<b>L</b>	轉角方向 Swing direction	右轉R或左轉L Turn right R or turn left L
<b>25</b>	油缸內徑 Hydraulic cylinder inside diameter	Φ25, Φ32, Φ40
<b>A</b>	作動方式 Acting type	<p>A:單動式Single acting      B:複動式Double acting</p>
<b>90</b>	轉角角度 Swing angle	<p>標準角度 Standard angle 90°(±2°) 訂做角度 Order angle 30°±2°, 45°±2°, 60°±2°</p>
<b>F</b>	安裝型式 Mounting type	<p>空白: 配管型 Line type F: 油路板型 Manifold type (外螺牙無油路板式)</p>

#### 規格參數表 SPECIFICATION

型號	理論夾持力 (210 kgf/cm <sup>2</sup> )	轉角行程	夾緊行程	總行程	拉入容積	推出容積	拉入受壓面積	推出受壓面積	使用溫度範圍
MODEL	CLAMPING FORCE AT 210kgf/cm <sup>2</sup> (kgf)	SWING STROKE (mm)	CLAMPING STROKE (mm)	TOTAL STROKE(mm)	CYLINDER CAPACITY CLAMP(cm <sup>3</sup> )	CYLINDER CAPACITY UNCLAMP(cm <sup>3</sup> )	EFF.PISTON AREA CLAMP(cm <sup>2</sup> )	EFF.PISTON AREA UNCLAMP(cm <sup>2</sup> )	RANGE OF TEMPERATURE(°C)
NFS-25A NDS-25A NFT-25A NDT-25A	420	12	11	23	5.45	-	2.37	-	-10~+70°C
NFS-32A NDS-32A NFT-32A NDT-32A	760	12	11	23	9.75	-	4.24	-	-10~+70°C
NFS-40A NDS-40A NFT-40A NDT-40A	1450	12	11	23	17.60	-	7.65	-	-10~+70°C
NFS-25B NDS-25B NFT-25B NDT-25B	495	15	18	33	7.82	16.20	2.37	4.91	-10~+70°C
NFS-32B NDS-32B NFT-32B NDT-32B	890	15	18	33	13.99	26.53	4.24	8.04	-10~+70°C
NFS-40B NDS-40B NFT-40B NDT-40B	1600	15	18	33	25.25	41.25	7.65	12.5	-10~+70°C

**NFS**

Single side swing clamp

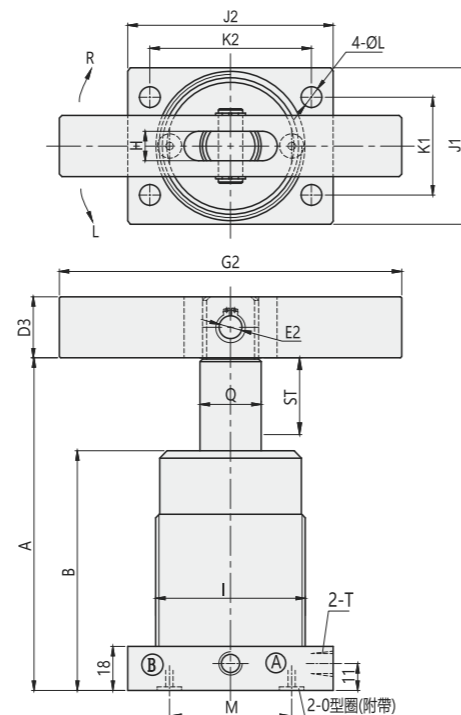


Ⓐ 夾持油孔 Clamping port

**NDS**

Double side swing clamp

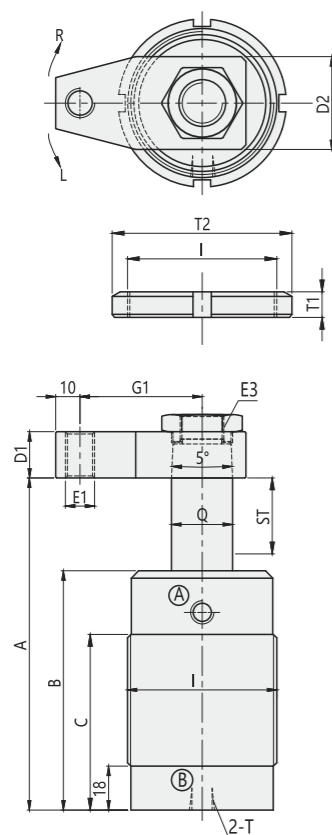
註：下圖為轉角90°鬆開狀態



Ⓑ 放鬆油孔 Unclamping port (單動型為排氣孔)

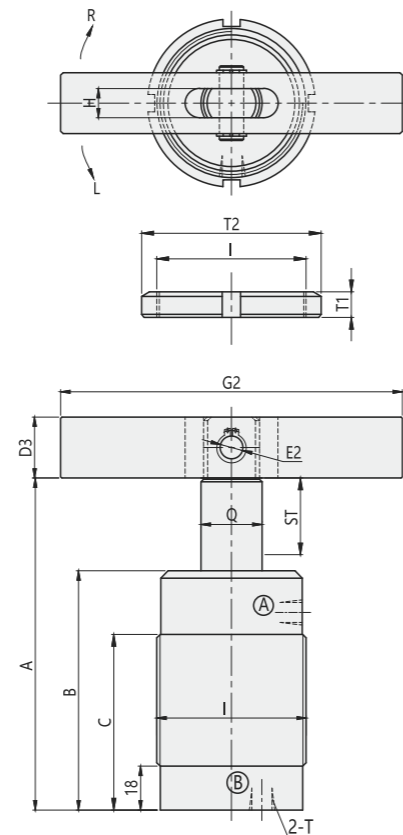
**NFT**

Single side swing clamp

**NDT**

Double side swing clamp

註：下圖為轉角90°鬆開狀態



四方底座型 Flange type	NFS-25A NDS-25A	NFS-32A NDS-32A	NFS-40A NDS-40A	NFS-25B NDS-25B	NFS-32B NDS-32B	NFS-40B NDS-40B
外螺外牙型 Threaded type	NFT-25A NDT-25A	NFT-32A NDT-32A	NFT-40A NDT-40A	NFT-25B NDT-25B	NFT-32B NDT-32B	NFT-40B NDT-40B
ST:Swing/ Clamping	23:12/11	23:12/11	23:12/11	33:15/18	33:15/18	33:15/18
A鬆開狀態 Unclamping	131	127	127	136	136	136
B	102	97	98	102	97	98
C	66	70	72	66	70	72
D1	19	19	19	19	19	19
D2	38	38	38	38	38	38
D3	□19	□22	□25	□19	□22	□25
E1	M12	M12	M12	M12	M12	M12
E2	Φ8	Φ8	Φ10	Φ8	Φ8	Φ10
E3	M14x1	M18x1.5	M18x1.5	M14x1	M18x1.5	M18x1.5
G1	45	50	50	45	50	50
G2	100	120	140	100	120	140
H	9	10	12	9	10	12
I	M45x1.5	M50x1.5	M60x1.5	M45x1.5	M50x1.5	M60x1.5
J1	46	54	64	46	54	64
J2	64	68	84	64	68	84
K1	30	34	40	30	34	40
K2	50	54	66	50	54	66
L	Φ6.5	Φ8.5	Φ8.5	Φ6.5	Φ8.5	Φ8.5
M	35	40	50	35	40	50
N	23	27	32	23	27	32
T	PT1/8	PT1/8	PT1/8	PT1/8	PT1/8	PT1/8
T1(2pcs)	10	11	11	10	11	11
T2	Φ65	Φ70	Φ80	Φ65	Φ70	Φ80
Q	Φ18	Φ22	Φ25	Φ18	Φ22	Φ25
O-Ring	P7	P7	P7	P7	P7	P7