

推力腳座· DIN 6311 和低型 EH 22560.

產品描述

結合型式 S 的 DIN 6332，EH 2254 使用。

材質

- 鋼，表面硬化，染黑。彈簧保持器嵌入。
- 不銹鋼

組裝

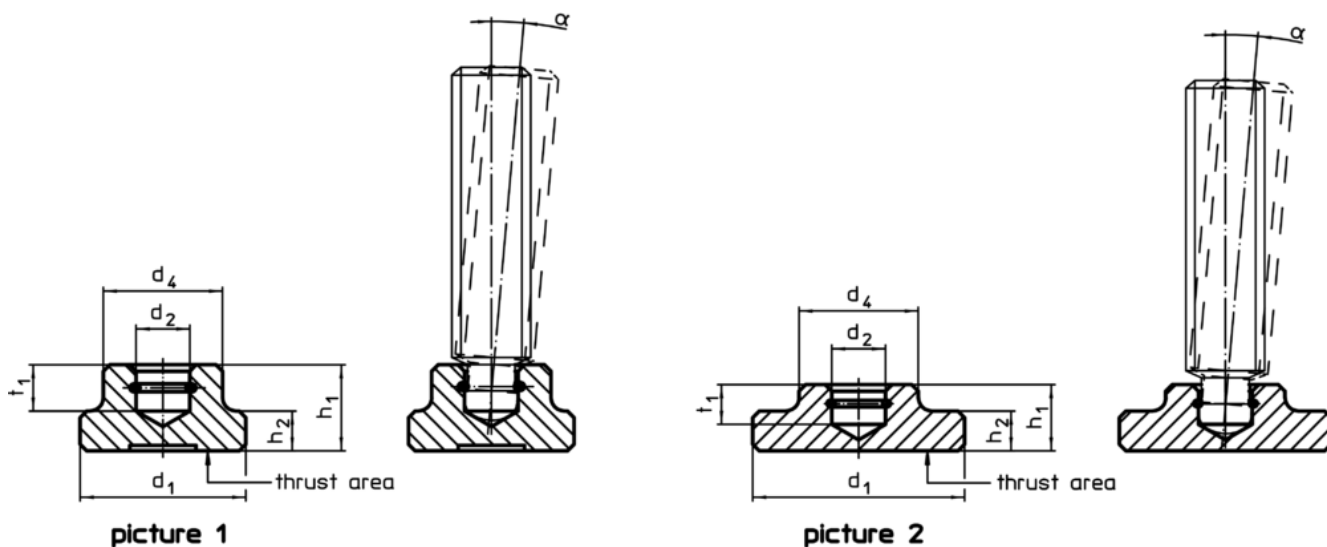
組立：推力襯墊必須保持在底部開口側的彈簧保持器內。挖地螺絲儘可能的在開口側傾斜放入壓配之。

更多資訊


更多產品

- 腳座螺絲，DIN 6332 有推力點型式 S

圖面



訂單資訊

d ₁	d ₂ H12	尺寸 [mm]				用於有推力 點的止付螺絲 DIN 6332 [mm]	α min	 [g]	RoHS	REACH	品號
DIN 6311 含 彈簧保持器， 型式 S – 相片 1, 鋼											
12	4,6	10	7	2,5	4,0	M 6	7°	4,3	RoHS 認證	contains SVHC materials >0.1% w/w	22560.0012
16	6,1	12	9	4,0	5,0	M 8	4°	9,4	RoHS 認證	contains SVHC materials >0.1% w/w	22560.0016
20	8,1	15	11	5,0	6,0	M10	3°	18,0	RoHS 認證	contains SVHC materials >0.1% w/w	22560.0020
25	8,1	18	13	6,0	7,0	M12	3°	30,0	RoHS 認證	contains SVHC materials >0.1% w/w	22560.0025
32	12,1	22	15	7,0	7,5	M16	5°	59,0	RoHS 認證	contains SVHC materials >0.1% w/w	22560.0032
40	15,6	28	16	9,0	8,0	M20	4°	105,0	RoHS 認證	contains SVHC materials >0.1% w/w	22560.0040

d ₁	d ₂ H12	尺寸				t ₁	用於有推力 點的止付螺絲 DIN 6332 [mm]	α min		RoHS	REACH	品號
		d ₄	h ₁	h ₂	[mm]							
DIN 6311 含 彈簧保持器， 型式 S – 相片 1, 不銹鋼												
12	4,6	10	7	2,5	4,0	M 6	7°	4,3	RoHS 認證	contains no SVHC materials	22560.0112	
16	6,1	12	9	4,0	5,0	M 8	4°	9,4	RoHS 認證	contains no SVHC materials	22560.0116	
20	8,1	15	11	5,0	6,0	M10	3°	18,0	RoHS 認證	contains no SVHC materials	22560.0120	
25	8,1	18	13	6,0	7,0	M12	3°	30,0	RoHS 認證	contains no SVHC materials	22560.0125	
32	12,1	22	15	7,0	7,5	M16	5°	59,0	RoHS 認證	contains no SVHC materials	22560.0132	
40	15,6	28	16	9,0	8,0	M20	4°	105,0	RoHS 認證	contains no SVHC materials	22560.0140	
低型， 增加推力面積和彈簧定位器 – 相片 2, 鋼												
25	6,1	12	8	4,0	4,5	M 8	4°	18,0	RoHS 認證	contains SVHC materials >0.1% w/w	22560.0425	
32	8,1	18	10	6,0	6,0	M10/M12	3°	43,0	RoHS 認證	contains SVHC materials >0.1% w/w	22560.0432	
40	12,1	22	12	7,0	7,0	M16	5°	75,0	RoHS 認證	contains SVHC materials >0.1% w/w	22560.0440	
低型， 增加推力面積和彈簧定位器 – 相片 2, 不銹鋼												
25	6,1	12	8	4,0	4,5	M 8	4°	18,0	RoHS 認證	contains no SVHC materials	22560.1425	
32	8,1	18	10	6,0	6,0	M10/M12	3°	43,0	RoHS 認證	contains no SVHC materials	22560.1432	
40	12,1	22	12	7,0	7,0	M16	5°	75,0	RoHS 認證	contains no SVHC materials	22560.1440	

應用範例

