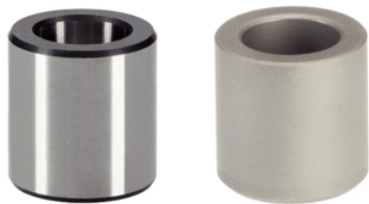


襯套·用於定位夾持銷

EH 23111.

產品描述



材質

- 表面硬化鋼，表面硬化，染黑
- 不銹鋼1.4112，硬化

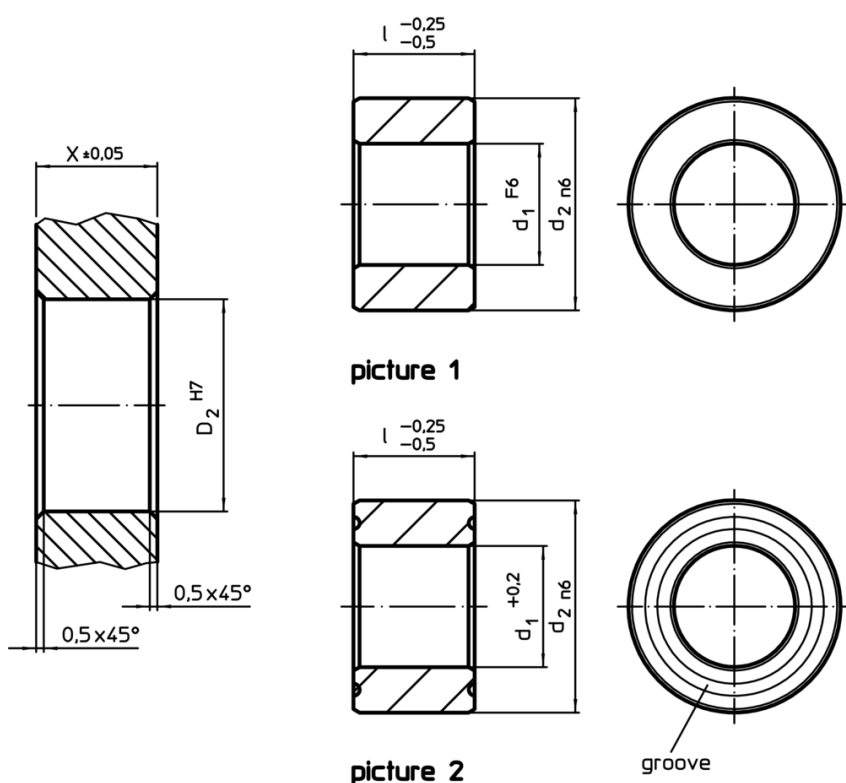
組裝

兩中心襯套和兩個浮動襯套被安裝到板中夾住，以保證最佳的重複性。

特性

浮動襯套具有溝槽作為標記。

圖面



訂單資訊

d ₁	尺寸		d ₂ n6	定位孔		[g]	RoHS	REACH	品號
	l	X		D ₂	H7				
[mm]	-0,25 -0,5	±0,05	[mm]	[mm]					
中心的 - 相片 1, 滲碳鋼									
16,0F6	20	20	25	25	44	RoHS 認證	contains no SVHC materials	23111.0702	
16,0F6	25	25	25	25	56	RoHS 認證	contains no SVHC materials	23111.0704	
20,0F6	20	20	35	35	110	RoHS 認證	contains no SVHC materials	23111.0706	
20,0F6	25	25	35	35	120	RoHS 認證	contains no SVHC materials	23111.0708	

d ₁	尺寸		定位孔		[g]	RoHS	REACH	品號
	l	d ₂	X	D ₂				
[mm]	-0,25 -0,5	n6	±0,05	H7				
25,0F6	20	35	20	35	73	RoHS 認證	contains no SVHC materials	23111.0710
25,0F6	25	35	25	35	92	RoHS 認證	contains no SVHC materials	23111.0712
30,0F6	20	45	20	45	136	RoHS 認證	contains no SVHC materials	23111.0714
30,0F6	25	45	25	45	171	RoHS 認證	contains no SVHC materials	23111.0716
浮動的 – 相片 2, 滲碳鋼								
16,8+0,2	20	25	20	25	41	RoHS 認證	contains no SVHC materials	23111.0732
16,8+0,2	25	25	25	25	51	RoHS 認證	contains no SVHC materials	23111.0734
20,8+0,2	20	35	20	35	95	RoHS 認證	contains no SVHC materials	23111.0736
20,8+0,2	25	35	25	35	120	RoHS 認證	contains no SVHC materials	23111.0738
25,8+0,2	20	35	20	35	66	RoHS 認證	contains no SVHC materials	23111.0740
25,8+0,2	25	35	25	35	84	RoHS 認證	contains no SVHC materials	23111.0742
30,8+0,2	20	45	20	45	129	RoHS 認證	contains no SVHC materials	23111.0744
30,8+0,2	25	45	25	45	161	RoHS 認證	contains no SVHC materials	23111.0746
中心的 – 相片 1, 不銹鋼								
16,0F6	20	25	20	25	43	RoHS 認證	contains no SVHC materials	23111.0802
16,0F6	25	25	25	25	54	RoHS 認證	contains no SVHC materials	23111.0804
20,0F6	20	35	20	35	97	RoHS 認證	contains no SVHC materials	23111.0806
20,0F6	25	35	25	35	123	RoHS 認證	contains no SVHC materials	23111.0808
25,0F6	20	35	20	35	73	RoHS 認證	contains no SVHC materials	23111.0810
25,0F6	25	35	25	35	99	RoHS 認證	contains no SVHC materials	23111.0812
30,0F6	20	45	20	45	133	RoHS 認證	contains no SVHC materials	23111.0814
30,0F6	25	45	25	45	165	RoHS 認證	contains no SVHC materials	23111.0816
浮動的 – 相片 2, 不銹鋼								
16,8+0,2	20	25	20	25	39	RoHS 認證	contains no SVHC materials	23111.0832
16,8+0,2	25	25	25	25	50	RoHS 認證	contains no SVHC materials	23111.0834
20,8+0,2	20	35	20	35	92	RoHS 認證	contains no SVHC materials	23111.0836
20,8+0,2	25	35	25	35	117	RoHS 認證	contains no SVHC materials	23111.0838
25,8+0,2	20	35	20	35	65	RoHS 認證	contains no SVHC materials	23111.0840
25,8+0,2	25	35	25	35	82	RoHS 認證	contains no SVHC materials	23111.0842
30,8+0,2	20	45	20	45	125	RoHS 認證	contains no SVHC materials	23111.0844
30,8+0,2	25	45	25	45	158	RoHS 認證	contains no SVHC materials	23111.0846