

分割定位柱·一般拋光

EH 22120.



產品描述

限用於非精密定位的應用。
成品簡單具有非常小的尺寸。

材質

本體

- 鋼，鍍鋅
- 不鏽鋼 1.4305

固定梢子

- 不鏽鋼 1.4305

手把

- 塑膠(PA6)，黑色，無光澤的

拉環

- 不銹鋼 1.4310

操作

當使用鎖定分割定位柱時，拉出旋鈕，轉90度並由一個槽口固定(此時鎖銷不可突出)。

更多資訊

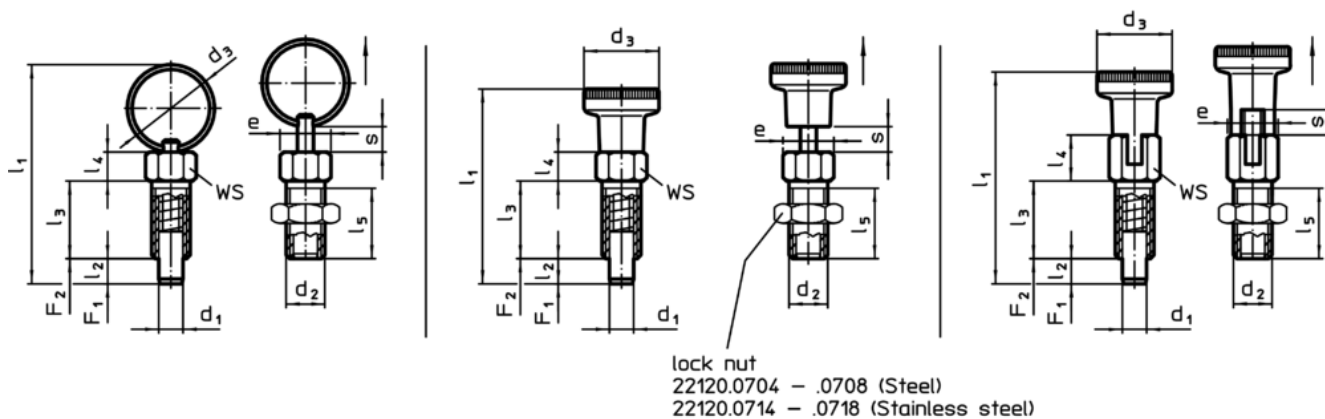
注意事項

螺帽必須個別購買。

更多產品

- 定位襯套，適用於分割螺栓和分割定位柱

圖面



picture 1

picture 2

picture 3

訂單資訊




尺寸										WS	起動扭力 max.	彈簧 荷重 ¹⁾		溫度		重量	RoHS	REACH	品號
d ₁	d ₂	d ₃	e	l ₁	l ₂ min	l ₃	l ₄	l ₅	s min			F ₁	F ₂	min	max.				
[mm]										[mm]	[Nm]	[N]	[N]	[°C]					
有拉環，無鎖固 - 相片 1, 鋼																			
3	M 6	14	6,9	34,0	3,5	12	4,5	10,0	3,5	6	2	3	12	-	250	3,2	RoHS 認證	contains no SVHC materials	22120.0723
4	M 6	14	6,9	34,5	4,0	12	4,5	10,0	4,0	6	2	3	12	-	250	3,6	RoHS 認證	contains no SVHC materials	22120.0724
5	M 8	18	9,2	45,0	5,0	16	6,0	13,5	5,0	8	7	5	24	-	250	8,4	RoHS 認證	contains no SVHC materials	22120.0725
6	M10	24	11,5	57,5	6,0	20	7,5	17,0	6,0	10	15	5	21	-	250	17,0	RoHS 認證	contains no SVHC materials	22120.0726
8	M12	30	13,8	71,0	8,0	24	9,0	20,5	8,0	12	20	6	22	-	250	31,0	RoHS 認證	contains no SVHC materials	22120.0728

¹⁾ 統計平均值

尺寸											WS [mm]	起動 扭力 max. [Nm]	彈簧 荷重 ¹⁾		溫度		重量 [g]	RoHS	REACH	品號
d ₁ h9	d ₂	d ₃	e	l ₁	l ₂ min	l ₃	l ₄	l ₅	s min	F ₁ ~			F ₂ ~	min	max.					
[mm]													[N]	[°C]						
有手把，無鎖固 – 相片 2, 鋼																				
3	M 6	12	6,9	30,0	3,5	12	4,5	10,0	3,5	6	2	3	12	-30	80	3,6	RoHS 認證	contains no SVHC materials	22120.0743	
4	M 6	12	6,9	30,5	4,0	12	4,5	10,0	4,0	6	2	3	12	-30	80	4,0	RoHS 認證	contains no SVHC materials	22120.0744	
5	M 8	16	9,2	40,0	5,0	16	6,0	13,5	5,0	8	7	5	24	-30	80	9,2	RoHS 認證	contains no SVHC materials	22120.0745	
6	M10	18	11,5	49,0	6,0	20	7,5	17,0	6,0	10	15	5	21	-30	80	18,0	RoHS 認證	contains no SVHC materials	22120.0746	
8	M12	21	13,8	59,0	8,0	24	9,0	20,5	8,0	12	20	6	22	-30	80	31,0	RoHS 認證	contains no SVHC materials	22120.0748	
有手把 有鎖固 – 相片 3, 鋼																				
3	M 6	12	6,9	32,5	3,5	12	7,0	10,0	3,5	6	2	3	12	-30	80	3,8	RoHS 認證	contains no SVHC materials	22120.0763	
4	M 6	12	6,9	33,0	4,0	12	7,0	10,0	4,0	6	2	3	12	-30	80	4,2	RoHS 認證	contains no SVHC materials	22120.0764	
5	M 8	16	9,2	43,5	5,0	16	9,5	13,5	5,0	8	7	5	24	-30	80	9,8	RoHS 認證	contains no SVHC materials	22120.0765	
6	M10	18	11,5	52,0	6,0	20	10,5	17,0	6,0	10	15	5	21	-30	80	18,0	RoHS 認證	contains no SVHC materials	22120.0766	
8	M12	21	13,8	63,5	8,0	24	13,5	20,5	8,0	12	20	6	22	-30	80	33,0	RoHS 認證	contains no SVHC materials	22120.0768	
有拉環，無鎖固 – 相片 1, 不銹鋼																				
3	M 6	14	6,9	34,0	3,5	12	4,5	10,0	3,5	6	2	3	12	-	250	3,2	RoHS 認證	contains no SVHC materials	22120.0773	
4	M 6	14	6,9	34,5	4,0	12	4,5	10,0	4,0	6	2	3	12	-	250	3,6	RoHS 認證	contains no SVHC materials	22120.0774	
5	M 8	18	9,2	45,0	5,0	16	6,0	13,5	5,0	8	7	5	24	-	250	8,4	RoHS 認證	contains no SVHC materials	22120.0775	
6	M10	24	11,5	57,5	6,0	20	7,5	17,0	6,0	10	15	5	21	-	250	17,0	RoHS 認證	contains no SVHC materials	22120.0776	
8	M12	30	13,8	71,0	8,0	24	9,0	20,5	8,0	12	20	6	22	-	250	31,0	RoHS 認證	contains no SVHC materials	22120.0778	
有手把，無鎖固 – 相片 2, 不銹鋼																				
3	M 6	12	6,9	30,0	3,5	12	4,5	10,0	3,5	6	2	3	12	-30	80	3,6	RoHS 認證	contains no SVHC materials	22120.0783	
4	M 6	12	6,9	30,5	4,0	12	4,5	10,0	4,0	6	2	3	12	-30	80	4,0	RoHS 認證	contains no SVHC materials	22120.0784	
5	M 8	16	9,2	40,0	5,0	16	6,0	13,5	5,0	8	7	5	24	-30	80	9,2	RoHS 認證	contains no SVHC materials	22120.0785	
6	M10	18	11,5	49,0	6,0	20	7,5	17,0	6,0	10	15	5	21	-30	80	18,0	RoHS 認證	contains no SVHC materials	22120.0786	
8	M12	21	13,8	59,0	8,0	24	9,0	20,5	8,0	12	20	6	22	-30	80	31,0	RoHS 認證	contains no SVHC materials	22120.0788	
有手把 有鎖固 – 相片 3, 不銹鋼																				
3	M 6	12	6,9	32,5	3,5	12	7,0	10,0	3,5	6	2	3	12	-30	80	3,8	RoHS 認證	contains no SVHC materials	22120.0793	
4	M 6	12	6,9	33,0	4,0	12	7,0	10,0	4,0	6	2	3	12	-30	80	4,2	RoHS 認證	contains no SVHC materials	22120.0794	
5	M 8	16	9,2	43,5	5,0	16	9,5	13,5	5,0	8	7	5	24	-30	80	9,8	RoHS 認證	contains no SVHC materials	22120.0795	
6	M10	18	11,5	52,0	6,0	20	10,5	17,0	6,0	10	15	5	21	-30	80	18,0	RoHS 認證	contains no SVHC materials	22120.0796	
8	M12	21	13,8	63,5	8,0	24	13,5	20,5	8,0	12	20	6	22	-30	80	33,0	RoHS 認證	contains no SVHC materials	22120.0798	

¹⁾ 統計平均值

配件

	尺寸 d ₂ [mm]	扳手尺寸 [mm]	 [g]	RoHS	REACH	品號
鎖固螺帽 ISO 4035 適合以下尺寸, 鋼						
	M 6	10	1,3	RoHS 認證	contains no SVHC materials	22120.0704
	M 8	13	2,8	RoHS 認證	contains no SVHC materials	22120.0705
	M10	16	5,3	RoHS 認證	contains no SVHC materials	22120.0706
	M12	18	7,6	RoHS 認證	contains no SVHC materials	22120.0708
鎖固螺帽 ISO 4035 適合以下尺寸, 不銹鋼						
	M 6	10	1,3	RoHS 認證	contains no SVHC materials	22120.0714
	M 8	13	2,8	RoHS 認證	contains no SVHC materials	22120.0715
	M10	16	5,3	RoHS 認證	contains no SVHC materials	22120.0716
	M12	18	7,6	RoHS 認證	contains no SVHC materials	22120.0718

應用範例

