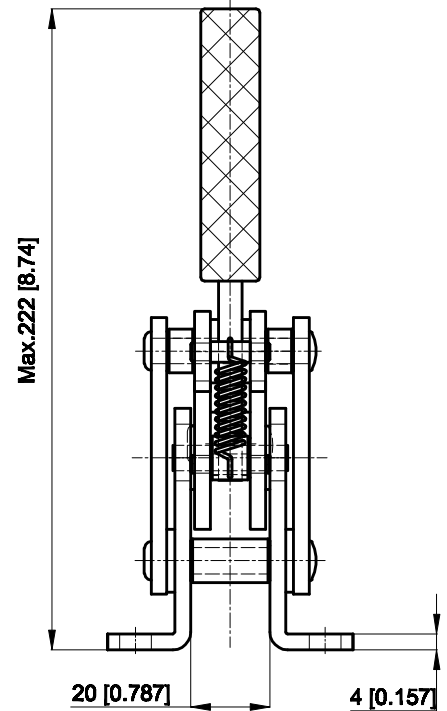
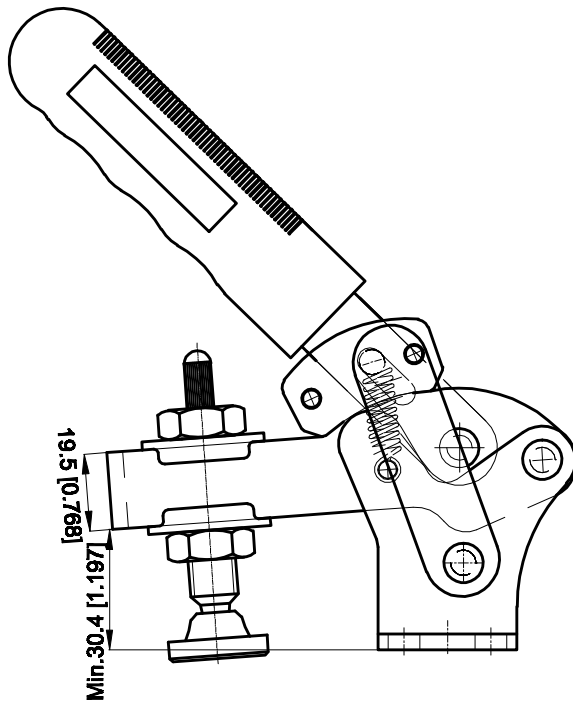
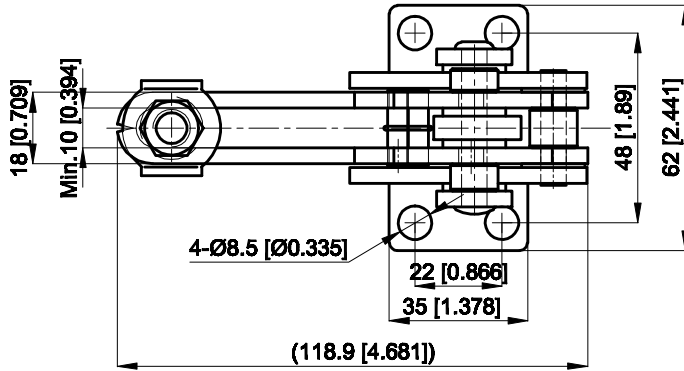




PART NUMBER: CH-60130

WEIGHT(g):680

HOLDING CAPACITY(kg):250



BAR OPENS:70°

HANDLE OPENS:165°

SPINDLE SUPPLIED:CH-SF-38300